



Gold Miner's Sluice

Installation Instructions

NOTES: Please check for any damage caused by the shipping company and take appropriate steps to file a claim, if needed.

*Please call **Digsafe** and check for any underground utilities before digging anywhere.

Materials needed

Screw gun

NOTE: the sluice support is designed with a built in pitch so water will flow down the sluice. Obviously, the high end should be nearest the water source. If you have ordered more than one sluice, you should have ordered a low and a medium, or a medium and a tall, so that when you place the sluices end-to-end, the tallest one is placed nearest the water source, then the next shorter one is placed under the end of the taller one, and so on. The idea is that the water continues to flow down the sluices!!

Instructions

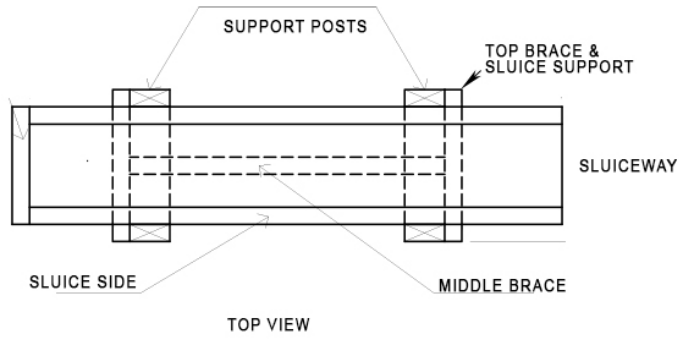
1. Remove items from packaging.
2. All parts have numbers and or letters that need to be matched up, face to face, then screwed together.
3. See the attached detail breakout
4. Following the letters/numbers and matching them where shown, assemble the two leg supports. If you purchased more than one sluice, you should have ordered different heights, so make sure to assemble the right pieces with the right height support.
5. Once the two supports are assembled, lay the sluice in the leg/support sections as indicated. The closed end of the sluice is the highest end and should face toward the water source.
6. Screw the leg supports to the sides of the sluice where indicated using the screws provided. If some are missing, use 2-1/2" deck screws.
7. All wood is treated with kid-friendly preservative, but as is the case with all wood facing the elements, it needs to be cared for, so check it periodically for rough spots, splinters, etc, and sand them out, and treat it with kid-friendly wood preservative (we have it available if you can't find it) once or twice a year to keep the wood from deteriorating.
8. Enjoy your Gold Miner's Sluice!



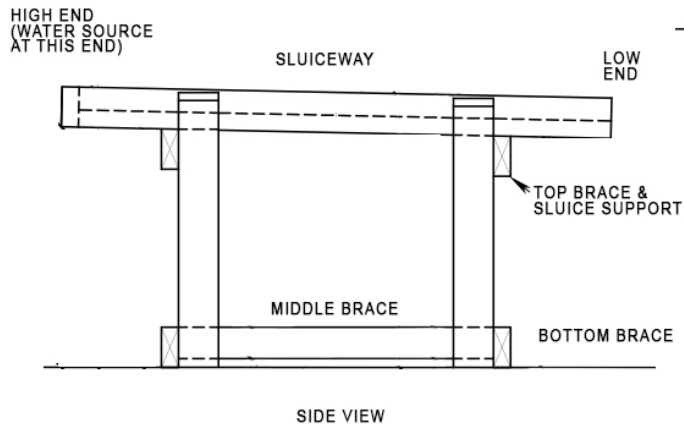
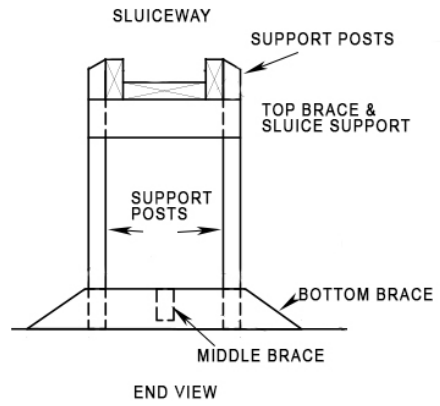
shows proper pitch
away from the water
source (pump)



separate pieces to
make the supports
for the Gold Miner
Sluice (red circle
means nothing :)



GOLD MINER SLUICE DETAILS



To assemble the pieces, follow these diagrams. Match letters to letters, numbers to numbers, facing each other